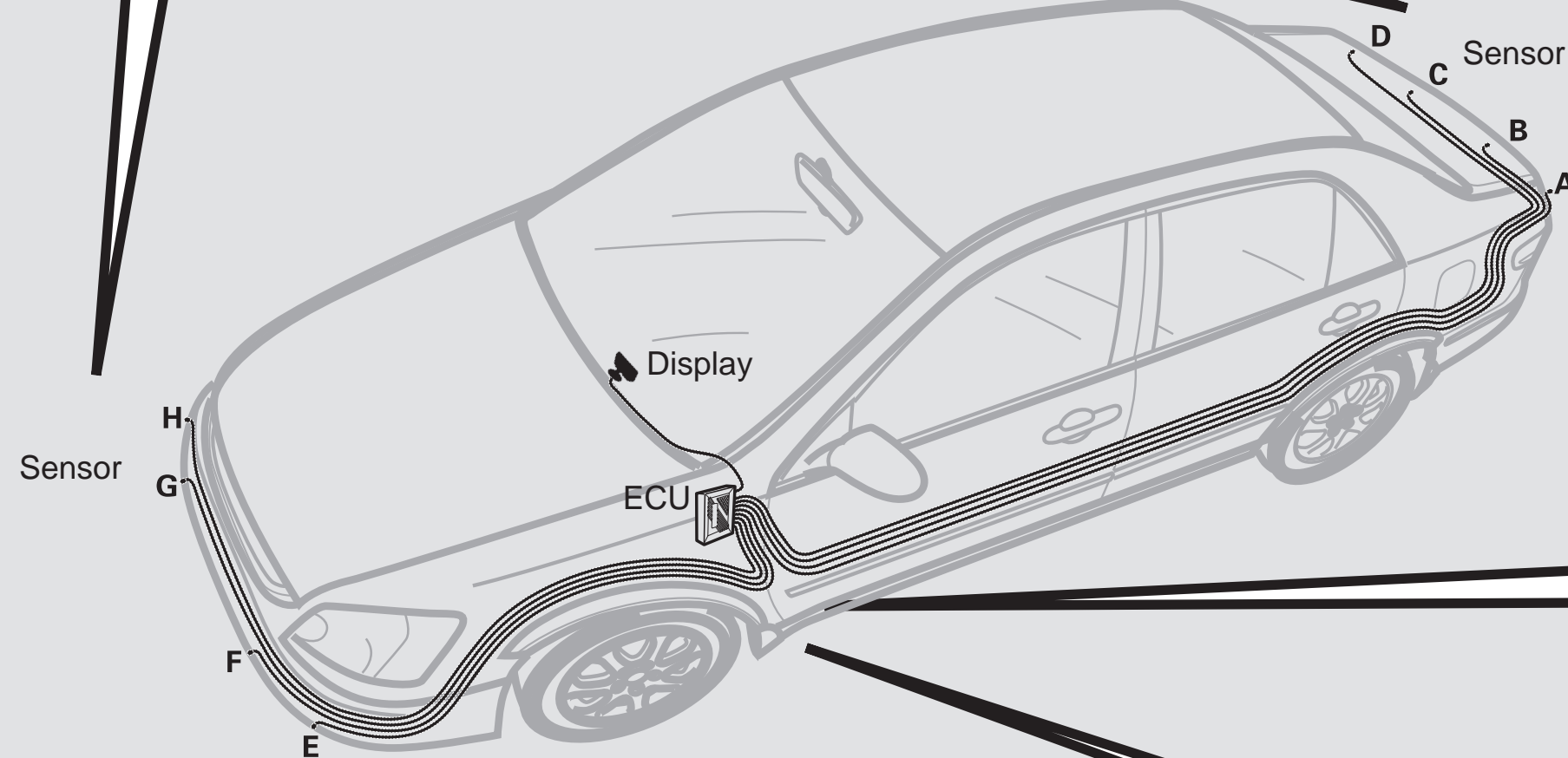


Installation Manual

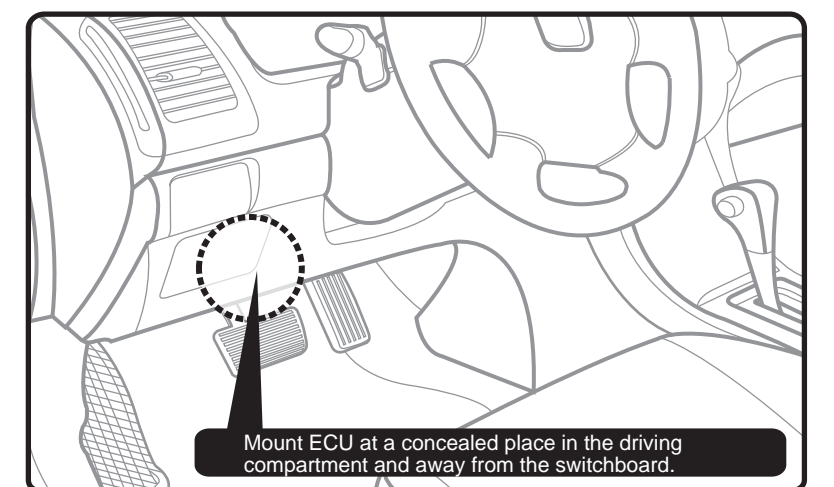
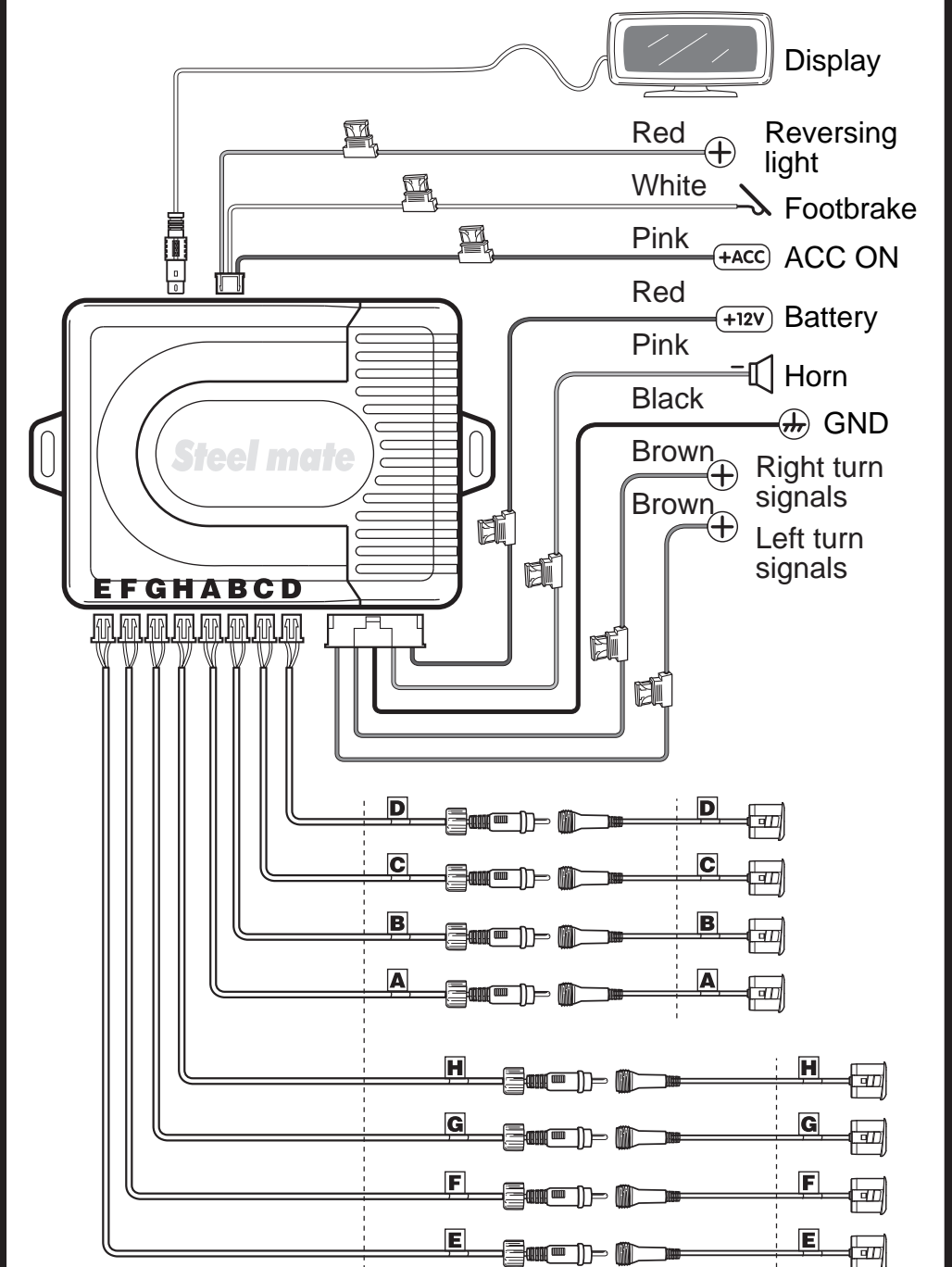
1. Sensor installation



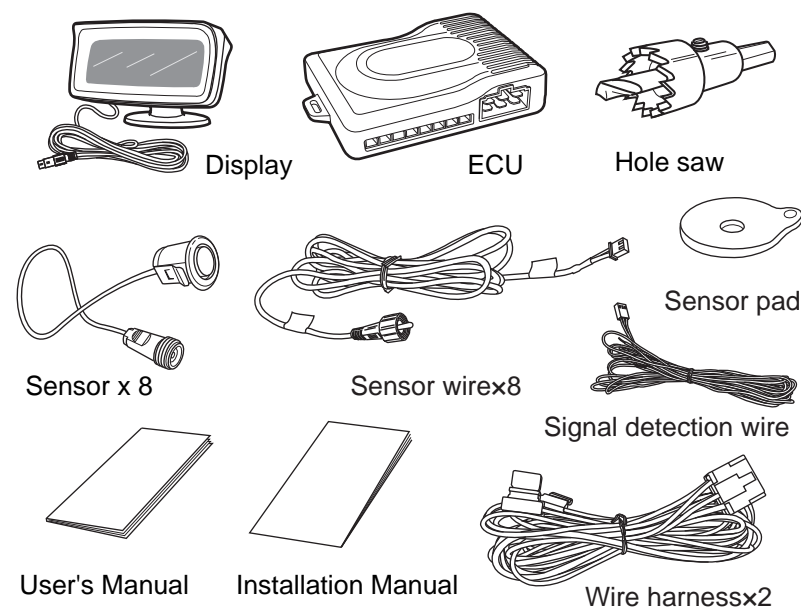
1. The positions of the holes should be vertical and even.
2. Measure & position the sensors' locations.
3. Verify that the size of the hole saw is compatible with the diameter of the sensor.
4. Install the sensor vertically, the "up" sign must be on upside.
5. Push the sensor into the hole firmly with sensor pad supplied with the product.
6. Insert the plug into the socket and wind the turncap tightly.



2. ECU installation



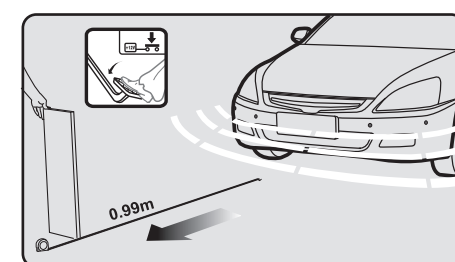
Unpacking checklist



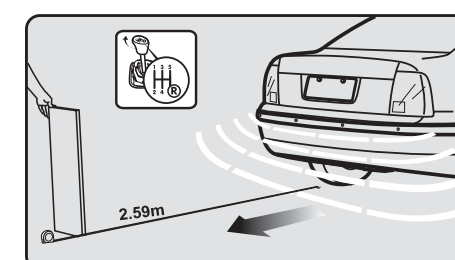
Notes:

1. This unit is for vehicles with 12V DC only.
2. Unit should be installed by a professional auto technician.
3. Route wiring harness away from heat sources and electrical components.
4. Power loom connections should be soldered and insulated.
5. Perform test after finishing the installation.

4. Function Testing

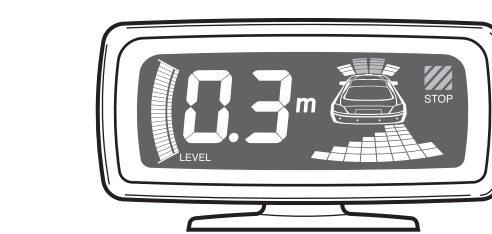


Hold a wooden board (30x100cm) standing in front of the car, drive slowly to test the corresponding functions of the system according to user's manual.

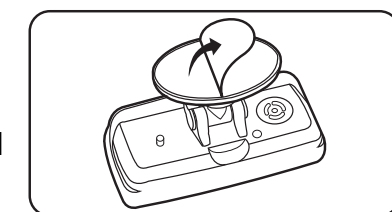


Hold a wooden board (30x100cm) standing at the back of the car, reverse slowly to test the corresponding functions of the system according to user's manual.

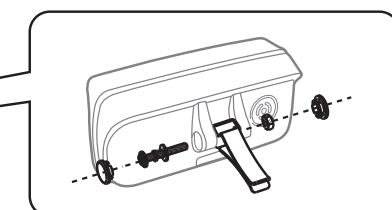
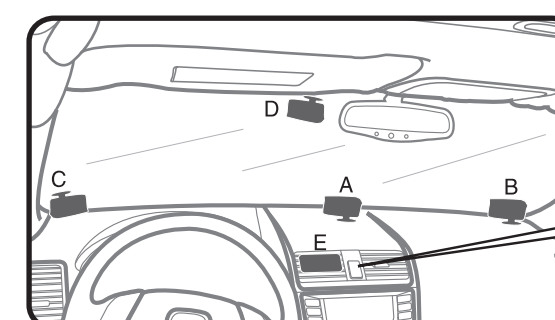
3. Display installation



1. There are 5 recommended locations you can install the display, such as places on the dashboard, the front windshield or the A/C vent.



2. Remove the sticker from the pedestal, the display can be stuck on the dashboard or windshield firmly.



3. The display can be fixed in the A/C vent with the clip provided.